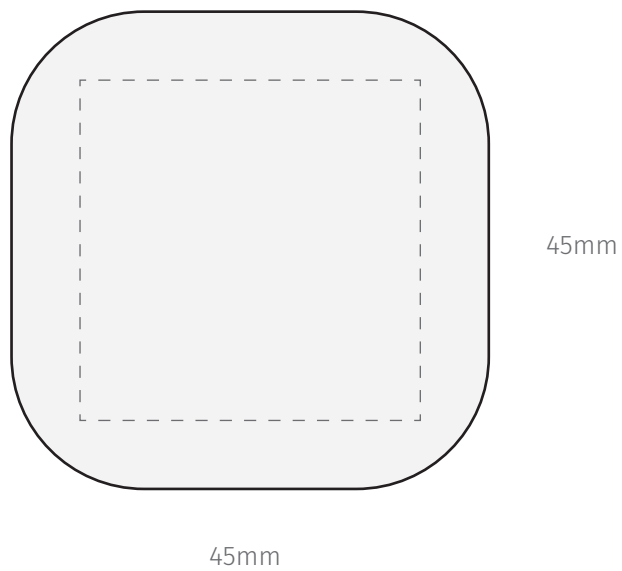


**TEMPLATE:**

■ HOLDER CHARGING CABLE



Item shown at 100% actual size when viewed on A4 paper

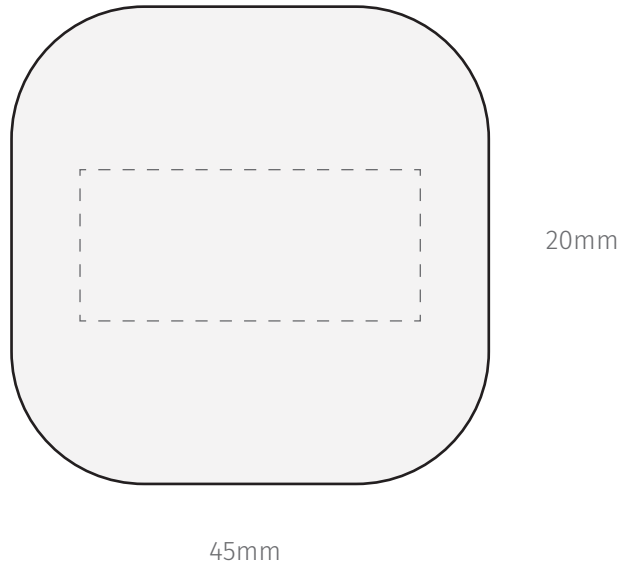
BRANDING - Pad print, Area 1

Max branding area 45 x 45mm



**TEMPLATE:**

■ HOLDER CHARGING CABLE



Item shown at 100% actual size when viewed on A4 paper

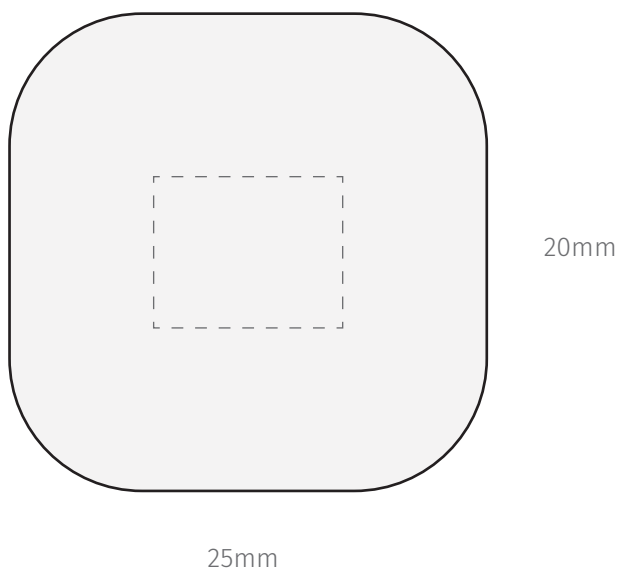
BRANDING - Digital print, Area 2

Max branding area 45 x 20mm



**TEMPLATE:**

■ HOLDER CHARGING CABLE



Item shown at 100% actual size when viewed on A4 paper

BRANDING - Digital print

Max branding area 25 x 20mm

